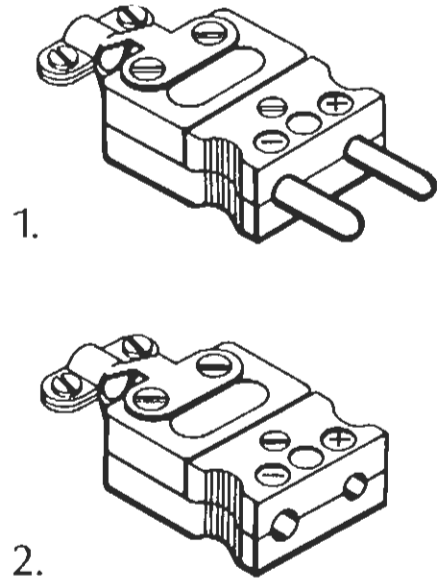
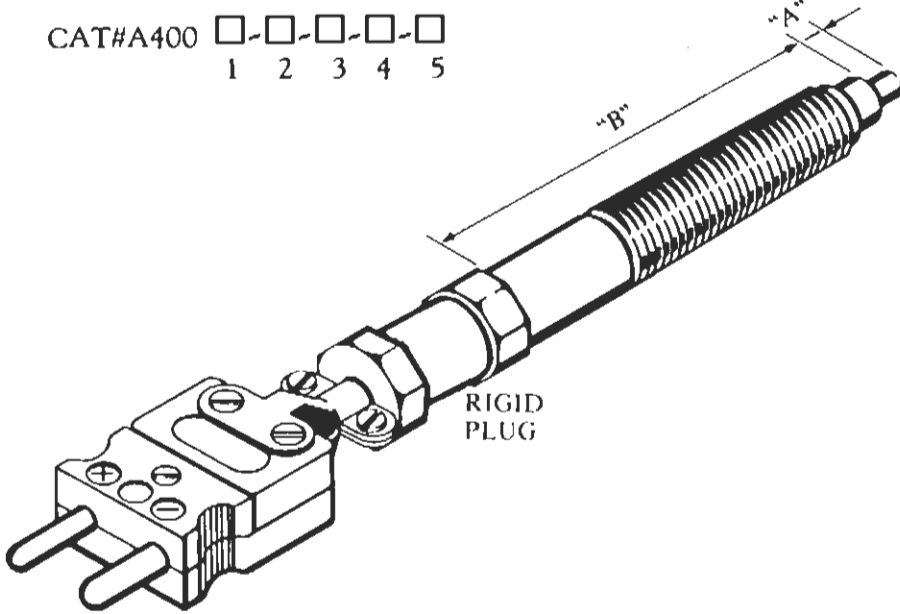
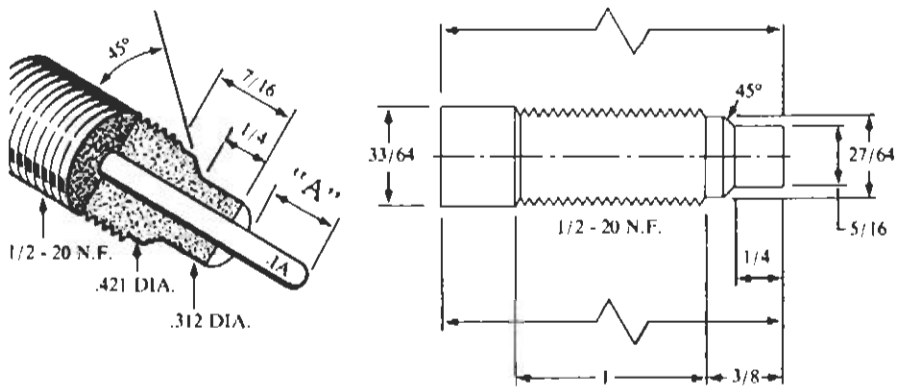


Plastic melt thermocouples & RTDs

Terminations



DETAILED DIMENSIONS



Order information

1 2 3 4 5

A400 □-□-□-□-□

TYPE

J

K

T

RTD

"A" LENGTH

In Inches

"B" LENGTH

In Inches

(3" & 6" standard)

TERMINATION

1

2

OPTIONS

U-Ungrounded

AA-Special Const.

Describe

